

Ersatzteilliste – Spare part list
Backmaster
EB 30 09
EB 30 XL 09



PLATON SERVICE
8 (800) 500 441
www.platonservice.com





PLATONSERVICE

8 (800) 500-34-47

www.platonservice.com

Inhaltsverzeichnis - Table of contents

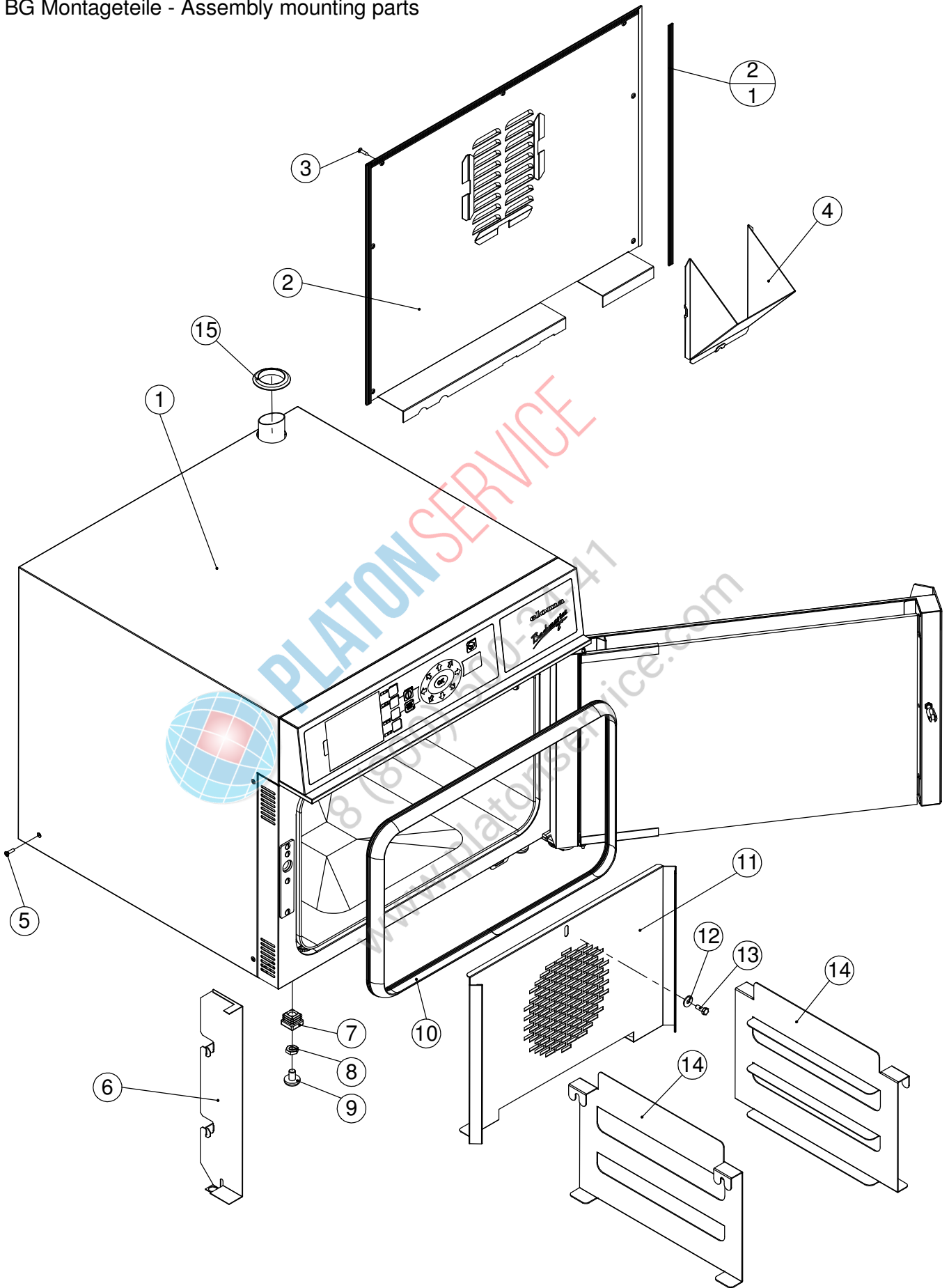
Baugruppe Montageteile lose	Assembly mounting parts	2
Baugruppe Tür	Assembly door	4
Baugruppe Bedienteil	Assembly control unit	6
Baugruppe Motor Heizung	Assembly motor heating	8
Baugruppe Elektromontageplatte	Assembly electric sheets	10
Baugruppe Abluft, Elektromontageteile lose	Assembly outlet air, electric	12
Baugruppe Wassertank, Ventilstock	Assembly water supply reservoir ,valve support	14
Kabelbaum, Schaltplan, Anschlusskabel, Hilfsmittel	Cable harness, Connection diagram, Connection cable	16

**PLATON SERVICE**

8 (800) 500-34-41

www.platonservice.com

EB 30-EB 30 XL B+T
 BG Montageteile - Assembly mounting parts

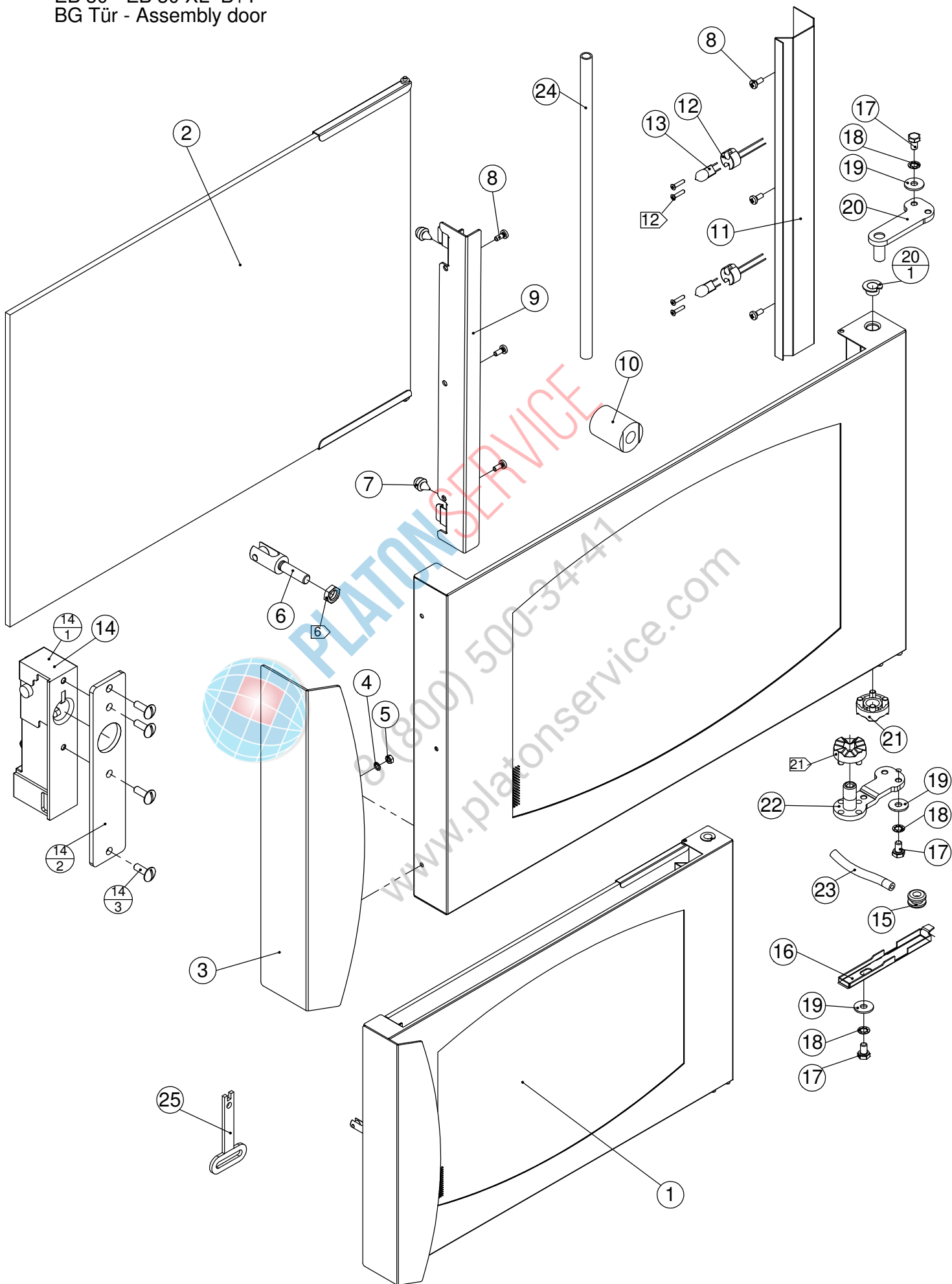


1	EL0503599	Mantel Gehäuse kpl. EB 30 09	Casing kpl. EB 30 09
	EL0503947	Mantel Gehäuse kpl. EB 30 XL 09	Casing kpl. EB 30 XL 09
2	EL0503604	Rückwand EB 30 09	Back wall EB 30 09
	EL0503948	Rückwand EB 30 XL 09	Back wall EB 30 XL 09
2.1	EL0587265	Dichtprofil weiss 9x3,5 mm (1,1m)	Sealing profile 9x3,5 mm (1,1m)
3	EL0011908	Linsensenkblechschaube DIN 7983 B3,9X19	Raised countersunk head tapping screw DIN 7983 B3,9X19
4	EL0503609	Ansaugschacht EB 30 09	Suction duct EB 30 EB 30XL 09
5	EL0000310	Linsensenkschraube DIN 966 M4x16 V2A	Rounded countersunk head screw DIN 966 M4x16 V2A
6	EL0877514	Abdeckung Isolierung links EB 30	Cover panel insulation left EB 30
	EL0877522	Abdeckung Isolierung rechts EB 30	Cover panel insulation right EB 30
7	EL0885215	Einsteckbuchse 28,5x28,5 M10	Inserting bush 28,5x28,5 M10
8	EL0887250	Sechskantmutter DIN 439 M10 V2A	Hexagon nut DIN 439 M10 V2A
9	EL0885223	Bodenausgleichsschraube rund M10x30	Adjustable feet rund M10x31
10	EL0501645	Türdichtung Rahmen EB 30 09	Door sealing eb 30 09
	EL0501647	Türdichtung Rahmen EB 30 XL 09	Door sealing eb 30 xl 09
11	EL0503962	Luftleitblech EB 30 09	Air conducting sheet KPL EB 30 09
	EL0504627	Luftleitblech EB 30 XL 09	Air conducting sheet EB 30 XL 09
12	EL0000582	Scheibe DIN 9021 6,4 V2A	Washer DIN 9021 6,4 V2A
13	EL0251194	Sechskantschraube DIN 933 M6X16 V2A	Hexagon head screw DIN 933 M6X16 V2A
14	EL0877433	Einhängegestell EB 30 EB 30 XL (1x)	Hang in rack EB 30 EB 30 XL (1x)
15	EL0584096	Dichtung Abluftrohr (0,15m)	Gasket drain (0,15m)



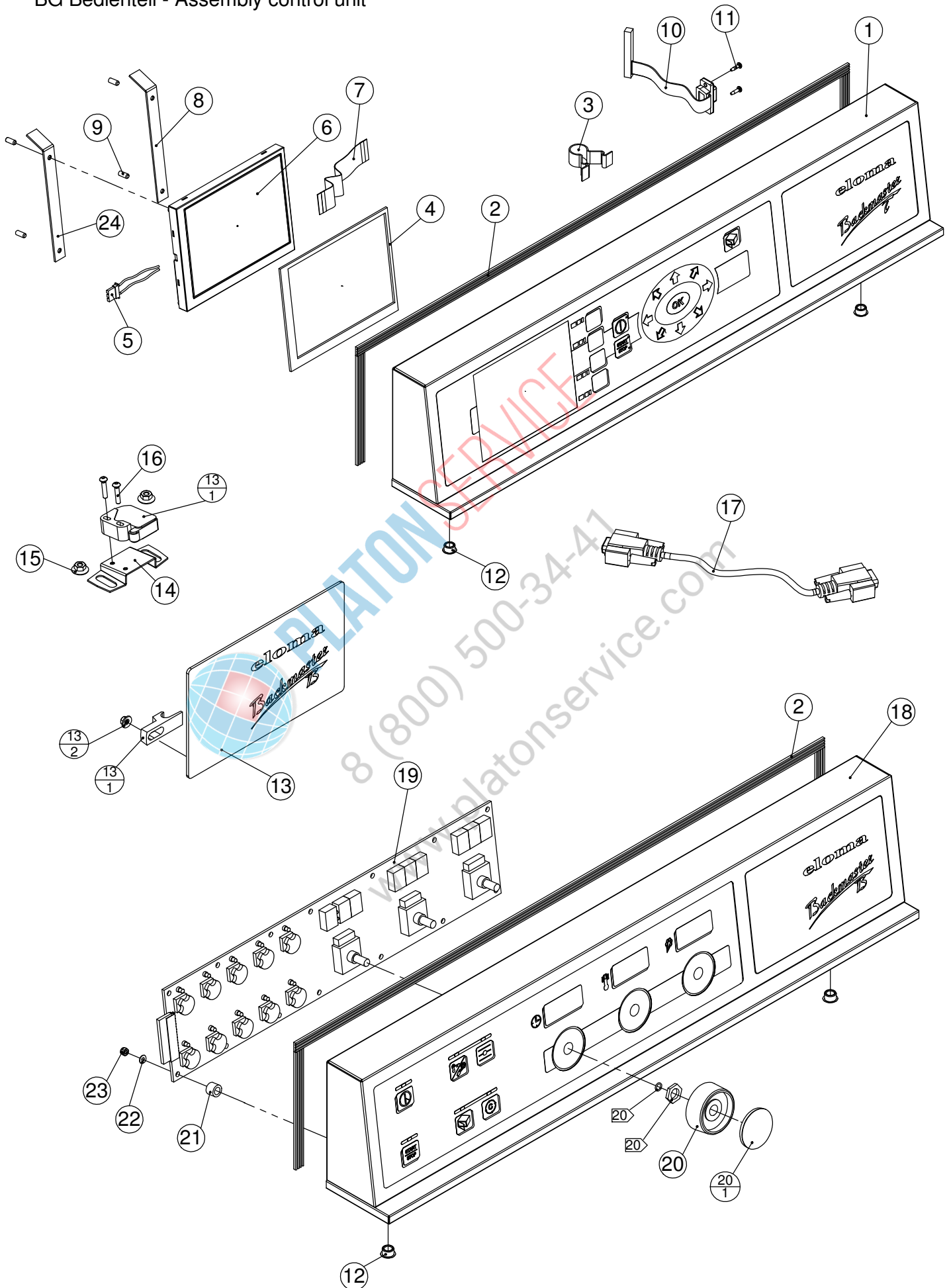
PLATON SERVICE
 8 (800) 500-34-41
 www.platonservice.com

EB 30 - EB 30 XL B+T
BG Tür - Assembly door



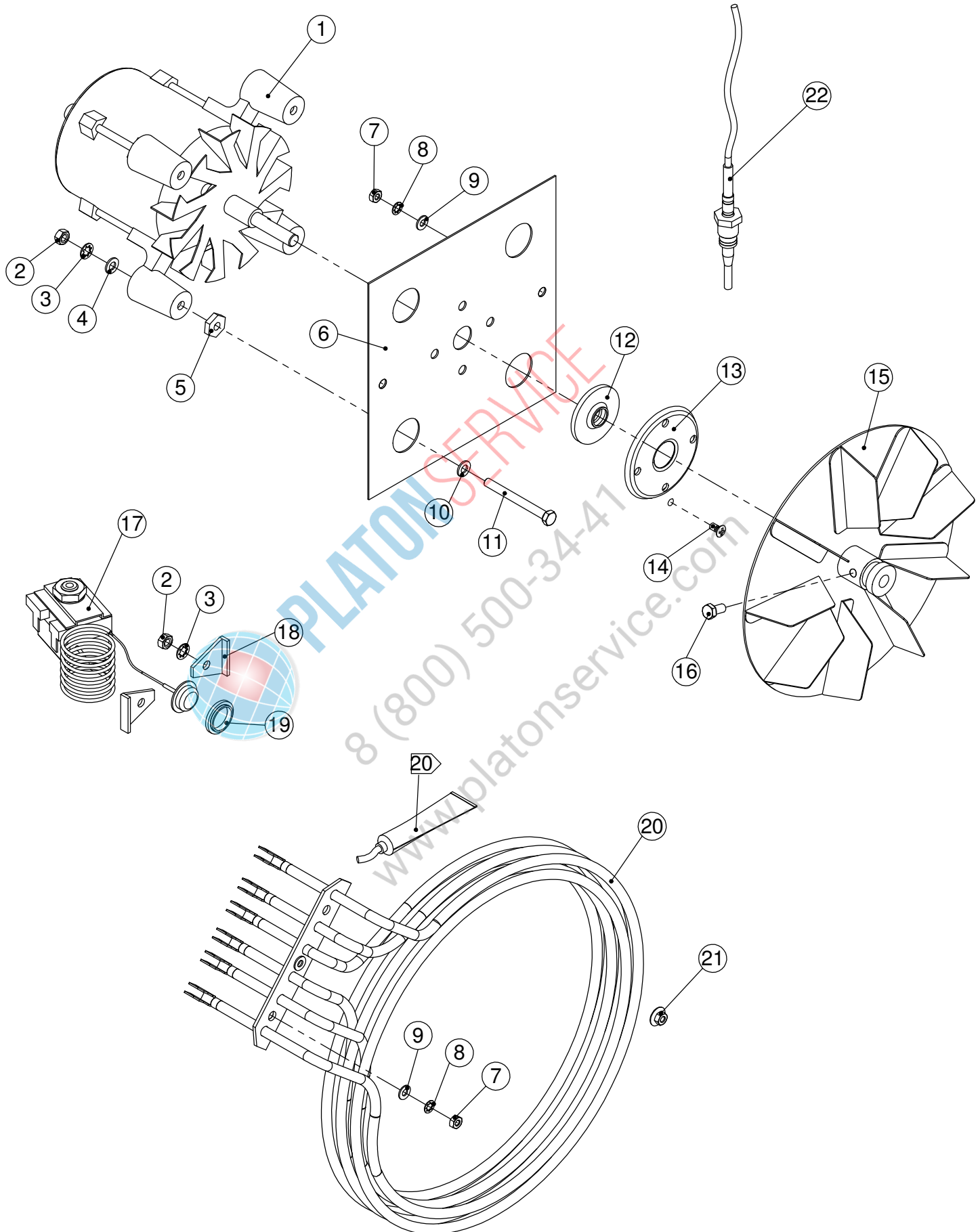
1	EL0503648	Tür mont. EB 30 09 RA	Door mounted EB 30 09 RA
	EL0504176	Tür mont. EB 30 09 LA	Door mounted EB 30 09 LA
	EL0504032	Tür mont. EB 30XL 09 RA	Door mounted EB 30XL 09 RA
	EL0504212	Tür mont. EB 30XL 09 LA	Door mounted EB 30XL 09 LA
2	EL0503651	Scheibe innen kpl. EB 30 09	Glasdoor back cpl EB 30 09
	EL0504031	Scheibe innen kpl. EB 30 XL 09	Glasdoor back cpl EB 30XL 09
3	EL0503463	Griffbogen EB 09	Handle EB 09
4	EL0050849	Zahnscheibe DIN 6797 J4,3 V2A	Lock washer DIN 6797 J4,3 V2A
5	EL0003905	Sechskantmutter DIN 934 M4 V2A	Hexagon nut DIN 934 M4 V2A
6	EL0504698	Kloben EB 30 09 (ET)	Block EB 30 09 (ET)
7	EL0886726	Gummipuffer	Rubber
8	EL0010502	Linsenschraube DIN 7985 M4x10 V2A	Lens head screw DIN 7985 M4x10 V2A
9	EL0503653	Holmdeckel Riegelseite Tür EB 30 09	Cover panel side interlocking EB 30 09
10	EL0504298	Distanzbolzen Tür EB 30 XL	Spacer door EB 30 XL
11	EL0503655	Holmdeckel Tür EB 30 09 RA	Cover panel hinge door EB 30 09 RA
	EL0504175	Holmdeckel Tür EB 30 09 LA	Cover panel hinge door EB 30 09 LA
12	EL0504694	Lampenfassung Halogen (ET)	Socket (ET)
13	EL0570478	Halogenlampe 12V 20W	Halogen lamp 12V 20W
14	EL0503973	Türverschluss EB 30 EB 30XL mont.	Door latch EB 30 EB 30XL mounted
14.1	EL0503607	Elektromagnetverschluss 24 V DC	Lock electric magnetic 24 V DC
14.2	EL0503974	Deckplatte Elektromagnetverschluss	Cover lock electric magnetic mounted
14.3	EL0525316	Becherschraube M4x8 V2A	Cup screw M4x8 VA
15	EL0877727	Kabeldurchführung 5x7x11	Cable bushing 5x7x11
16	EL0504312	Kabelabdeckung EB 30 EB 30 XL 09	Covering cable EB 30 EB 30 XL 09
17	EL0251836	Sechskantschraube DIN 933 M6X10 V2A	Hexagon head screw DIN 933 M6X10 V2A
18	EL0892912	Zahnscheibe DIN 6797 J6,4 V2A	Lock washer DIN 6797 J6,4 V2A
19	EL0000582	Scheibe DIN 9021 6,4 V2A	Washer DIN 9021 6,4 V2A
20	EL0504703	Scharnier oben RA (ET)	Hinge top RA (ET)
	EL0504695	Scharnier oben LA (ET)	Hinge top LA (ET)
20.1	EL0782432	Bundbuchse	Collar bush
21	EL0504697	Rastscheibe (ET) 2x	Rest disk (ET) 2x
22	EL0878685	Scharniersteg RA	Hinge support RA
	EL0878693	Scharniersteg LA	Hinge support LA
23	EL0253863	Schlauch D4x2 Silikon	Hose D 4x2 silicone
24	EL0878103	Kabelkanal EB 30 EB 30 XL	Cable duct EB 30 EB 30 XL
25	EL0504322	Not-Auf EB 30 EB 30 XL	Emergency open EB 30 EB 30 XL

EB 30 - EB 30 XL B+T
 BG Bedienteil - Assembly control unit



1	EL0503802	Blende kpl. EB 30 T 09 rot	Operating panel EB 30 T 09 red
	EL0503803	Blende kpl. EB 30 T 09 silber	Operating panel EB 30 T 09 silver
	EL0503806	Blende kpl. EB 30 T 09 rot mit Klappe	Operating panel EB 30 T 09 red with flap
	EL0503807	Blende kpl. EB 30 T 09 silber mit Klappe	Operating panel EB 30 T 09 silver with flap
	EL0503804	Blende kpl. EB 30 XL T 09 rot	Operating panel EB 30 XL T 09 red
	EL0503805	Blende kpl. EB 30 XL T 09 silber	Operating panel EB 30 XL T 09 silver
	EL0503808	Blende kpl. EB 30 XL T 09 rot mit Klappe	Operating panel EB 30 XL T 09 red with flap
	EL0503809	Blende kpl. EB 30 XL T 09 silber mit Klappe	Operating panel EB 30 XL T 09 silver with flap
2	EL0587265	Dichtprofil weiss 9x3,5 mm	Sealing profile 9x3,5 mm
3	EL0335363	Federklammer	Clamping spring
4	EL0500534	Staubdichtung Bildschirm	Dust seal Display
5	EL0501007	Kabel Hintergrundbeleuchtung Bildschirm	Cable lighting display
6	EL0500642	Bildschirm 5,7"	Display 5,7"
7	EL0501008	Flachkabel 40 polig für Bildschirm	Flat cable 40 pole display
8	EL0503949	Haltewinkel TFT Bildschirm EB 30 09 Innenseite	Support TFT display EB 30 09 interior
9	EL0502387	Gewindestift DIN 915 M4x12 V2A	Threaded pin DIN 915 M4x12 V2A
10	EL0976512	Verbindungskabel HACCP RSFBK 9-POL 1100mm	Cable connection HACCP RSFBK 9-pol 1100mm
11	EL0786055	E-Jotschraube 2.5x10 mm	Screw 2.5x10 mm
12	EL0504374	Abdeckkappe	Cap
13	EL0502573	Klappe mont. EB 30 B EB 30 B XL 09	Flap mounted EB 30 B EB 30 B XL 09
	EL0504018	Klappe mont. EB 30 T EB 30 T XL 09	Flap mounted EB 30 T EB 30 T XL 09
13.1	EL0886254	Federschnapper	Spring catch
13.2	EL0593362	Scheibenmutter M3 V2A	Disk nut M3 V2A
14	EL0504373	Auflage Mini Latch	Support Mini Latch
15	EL0553395	Scheibenmutter M4 V2A	Scheibenmutter M4 V2A
16	EL0886181	Linsenschraube Innensechskant ISO 7380 M3X16 V2A	Lens head screw hexagon ISO 7380 M3x16 V2A
17	EL0776696	Datenkabel PC HACCP 2m	Data line PC HACCP 2m
	EL0898511	Datenkabel PC HACCP 5m	Data line PC HACCP 5m
18	EL0503811	Blende kpl. EB 30 B 09 rot	Operating panel EB 30 B 09 rot
	EL0503812	Blende kpl. EB 30 B 09 silber	Operating panel EB 30 B 09 silver
	EL0503813	Blende kpl. EB 30 B 09 rot mit Klappe	Operating panel EB 30 B 09 with flap rot
	EL0503814	Blende kpl. EB 30 B 09 silber mit Klappe	Operating panel EB 30 B 09 with flap silver
	EL0503815	Blende kpl. EB 30 XL B 09 rot	Operating panel EB 30 XL B 09 red
	EL0503816	Blende kpl. EB 30 XL B 09 silber	Operating panel EB 30 XL B 09 silver
	EL0503817	Blende kpl. EB 30 XL B 09 rot mit Klappe	Operating panel EB 30 XL B 09 red with flap
	EL0503818	Blende kpl. EB 30 XL B 09 silber mit Klappe	Operating panel EB 30 XL B 09 silver with flap
19	EL0500690	Steuerungstastatur EB 30 EB 30 XL 09	Main board EB 30 EB 30 XL 09
20	EL0504699	Drehknopf D=40 RAL 7037 grau (ET)	Rotary knob D=40 RAL 7037 grey (ET)
20.1	EL0748676	Deckel Drehknopf D=40 silber	Cap Rotary knob D=40 RAL 9006 silver
21	EL0586374	Distanzhülse d6 D10 L7,5	Spacer d6 D10 L7,5
22	EL0357189	Scheibe PA 6,6 DI 3,2 X DA 7 X 0,5	Washer PA 6,6 DI 3,2 X DA 7 X 0,6
23	EL0749842	Sicherungsmutter DIN 985 M3 V2A	Lock nut M3
24	EL0505861	Haltewinkel TFT Bildschirm EB 30 09 Aussenseite	Support TFT display EB 30 09 exterior

EB 30 - EB 30 XL B+T
 BG Motor/Heizung - Assembly motor/heating

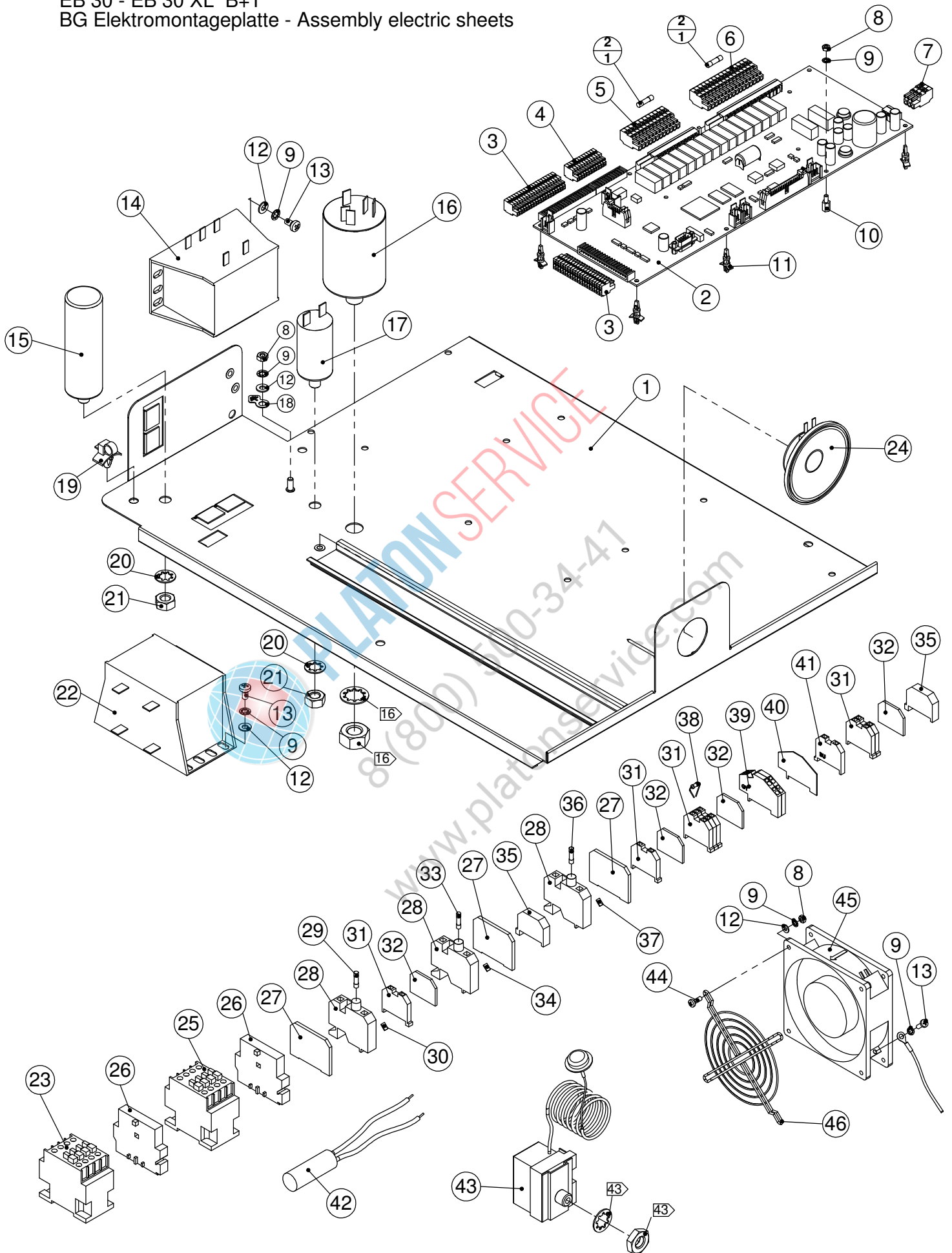


1	EL0693286	Motor EB 30 EB 30 XL 623	Motor EB 30 EB 30 XL 623
2	EL0252867	Sechskantmutter DIN 934 M5 V2A	Hexagon nut DIN 934 M5 V2A
3	EL0304816	Zahnscheibe DIN 6797 J5,3 V2A	Lock washer DIN 6797 J5,3 V2A
4	EL0003980	Scheibe DIN 125 A5,3 V2A	Washer DIN 125 A5,3 V2A
5	EL0585874	Motorabstandsbuchse EB 30 d2k 623	Motor spacer EB 30 d2k 623
6	EL0877948	Motorisolierblech EB 30 EB 30 XL	Motor isolating sheet EB 30 EB 30 XL
7	EL0003905	Sechskantmutter DIN 934 M4 V2A	Hexagon nut DIN 934 M4 V2A
8	EL0050849	Zahnscheibe DIN 6797 J4,3 V2A	Lock washer DIN 6797 J4,3 V2A
9	EL0001007	Scheibe DIN 125 A4,3 V2A	Washer DIN 125 A4,3 V2A
10	EL0693367	Scheibe DIN 125 A5,3 CU	Washer DIN 125 A5,3 CU
11	EL0693359	Sechskantschraube DIN 933 M5X50 V2A	Hexagon head screw DIN 933 M5X50 V2A
12	EL0897914	Wellendichtring	Shaft sealing ring
13	EL0503672	Dichtungshalter EB 30	Seal retainer EB 30
14	EL0010502	Linsenschraube DIN 7985 M4x10 V2A	Lens head screw DIN 7985 M4x10 V2A
15	EL0693375	Gebälserad EB 30 EB 30 XL 623	Fan wheel EB 30 EB 30 XL 623
16	EL0003743	Sechskantschraube DIN 933 M5X10 V2A	Hexagon head screw DIN 933 M5X10 V2A
17	EL0503630	Sicherheitstemperaturbegrenzer 1-polig 305°	Safety temperature limiter 1-poles 305°
18	EL0287695	Halter Sicherheitstemperaturbegrenzer	Support safety temperature limiter
19	EL0373079	Zentrierbuchse STB	Centric bush
20	EL0504704	Heizkörper EB 30 (ET)	Heating element EB 30 (ET)
21	EL0553395	Scheibenmutter M4 V2A	Scheibenmutter M4 V2A
22	EL0503678	Thermoelement	Thermocouple



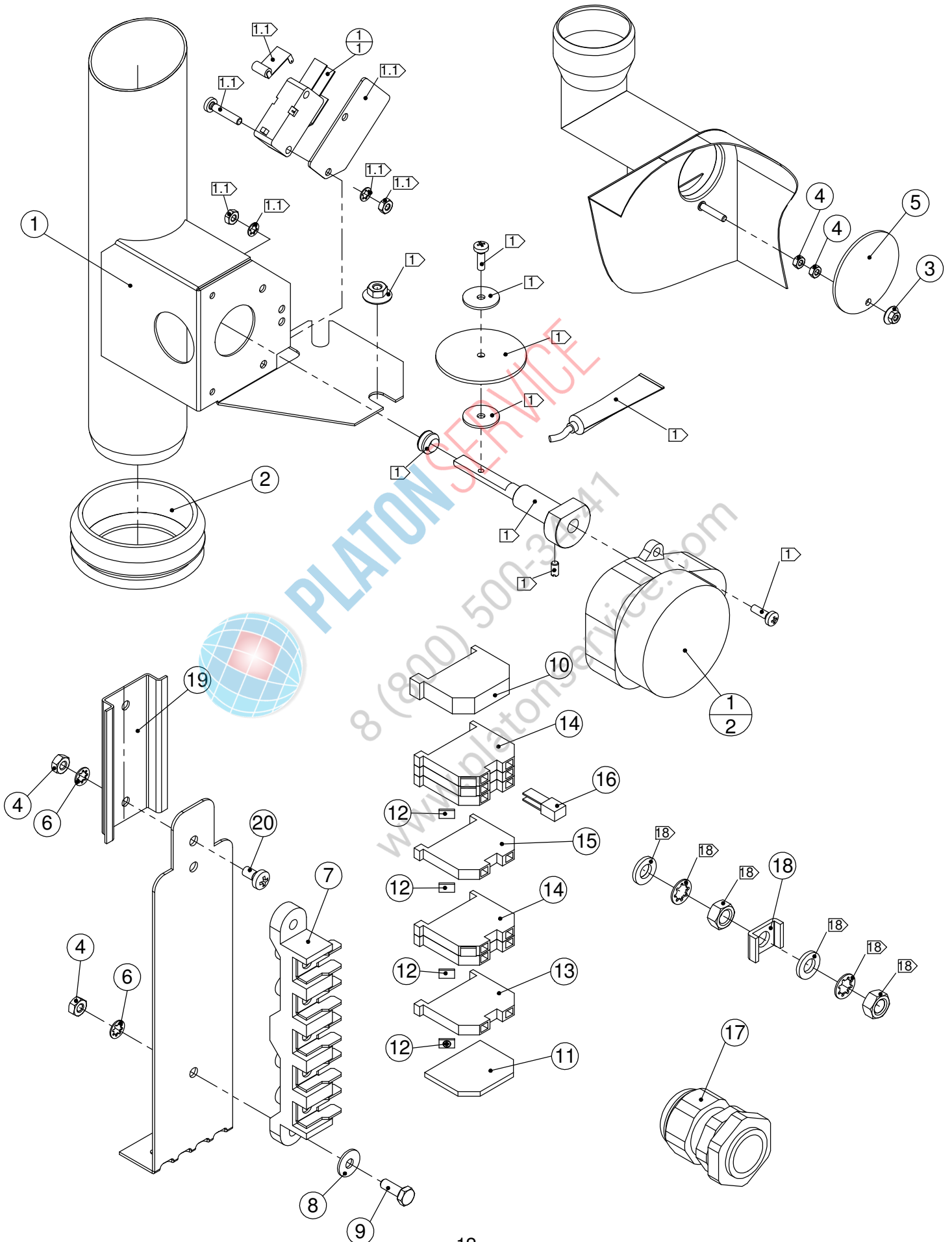
PLATON SERVICE
 8 (800) 500-34-41
 www.platonservice.com

EB 30 - EB 30 XL B+T
BG Elektromontageplatte - Assembly electric sheets



1	EL0503699	Elektroblech kpl. EB 30 EB 30XL 09	Assembly mounting plate EB 30 EB 30XL 09
2	EL0505346	Steuerbaugruppe EB B 30	Main bord EB B 30
	EL0506149	Steuerbaugruppe EB T 30	Main bord EB T 30
2.1	EL0765368	Feinsicherung 4A träge	Fine fuse 4 A delay
3	EL0749869	Stecker 20-polig	Plug 20-poles
4	EL0749850	Stecker 12-polig	Plug 12-poles
5	EL0501002	Stecker 12-polig nach oben gewinkelt	Plug 12-poles
6	EL0501003	Stecker 16-polig nach oben gewinkelt	Plug 16-poles
7	EL0898821	Stecker 3-polig	Plug 3-poles
8	EL0003905	Sechskantmutter DIN 934 M4 V2A	Hexagon nut DIN 934 M4 V2A
9	EL0050849	Zahnscheibe DIN 6797 J4,3 V2A	Lock washer DIN 6797 J4,3 V2A
10	EL0603228	Abstandsbolzen M4X10 vernickelt	Distance bolt M4X10 nickel-plated
11	EL0749834	Abstandshalter Platine	Spacer for control board
12	EL0001007	Scheibe DIN 125 A4,3 V2A	Washer DIN 125 A4,3 V2A
13	EL0001015	Linsenschraube DIN 7985 M4x8 V2A	Lens head screw DIN 7985 M4x8 V2A
14	EL0742775	Transformator 230V/16,5V	Transformer CPU d2k
15	EL0693480	Kondensator 3myF	Capacitor 3myF
16	EL0586013	Entstörfilter	Interference filter
17	EL0502761	Kondensator	Capacitor
18	EL0553182	Erdungszeichen für M4	Label grounding M4
19	EL0388017	Kabelbinder lösbar	Lacing cord
20	EL0892920	Zahnscheibe DIN 6797 J8,4 V2A	Lock washer DIN 6797 J8,4 V2A
21	EL0254177	Sechskantmutter DIN 934 M8 V2A	Hexagon nut DIN 934 M8 V2A
22	EL0572217	Transformator 230V/2x11,5V	Transformer 230V/2x11,5V
23	EL0523909	Schütz A9-30-10	Contactora A 9-30-10
24	EL0749877	Lautsprecher	Speaker
25	EL0502757	Schütz ABB A9-40-00	Contactora ABB A9-40-01
26	EL0751839	Hilfsschalterblock seitlich	Auxiliary switch block
27	EL0327514	Abschlussplatte grau	End plate grey
28	EL0326941	Sicherungselement	Safety-element
29	EL0578975	Feinsicherung 10 A träge	Fine fuse 10 A delay
30	EL0568155	Bezeichnungstreifen 10 A	Label 10 A
31	EL0572055	Klemme 4 qmm GY	Clamp 4 qmm GY
32	EL0570966	Abschlussplatte Klemme 4 qmm	End plate 4 qmm
33	EL0502759	Feinsicherung 5X20 200 ma träge	Fine fuse 5X20 200 ma delay
34	EL0580511	Bezeichnungstreifen 2A	Label 2 A
35	EL0337676	Endklammer 10mm	End clamp 10mm
36	EL0765368	Feinsicherung 4A träge	Fine fuse 4 A delay
37	EL0765406	Bezeichnungstreifen 4 A	Label 4 A
38	EL0502762	Widerstand 100 Ohm/1W	Resistor 100 Ohm/1W
39	EL0572071	Klemme 3 Leiter 4qmm grau	Clamp 3 Leiter 4qmm grey
40	EL0337668	Abschlussplatte	End plate
41	EL0571067	Klemme 4 qmm BU	Clamp 4 qmm BU
42	EL0501087	Entstörkondensator mit Kabel und Krallschuh	Anti-interference capacitor
43	EL0503630	Sicherheitstemperaturbegrenzer 1-polig 305°	Safety temperature limiter 1-poles 305°
44	EL0010537	Linsenschraube DIN 7985 M4x12 V2A	Lens head screw DIN 7985 M4x12
45	EL0693456	Axialgebläse 119x119x38 230V	Axial fan 119x119x38 230V
46	EL0586285	Gebläsegitter	Fan grid

EB 30 - EB 30 XL B+T
BG Abluft - Assembly outlet air

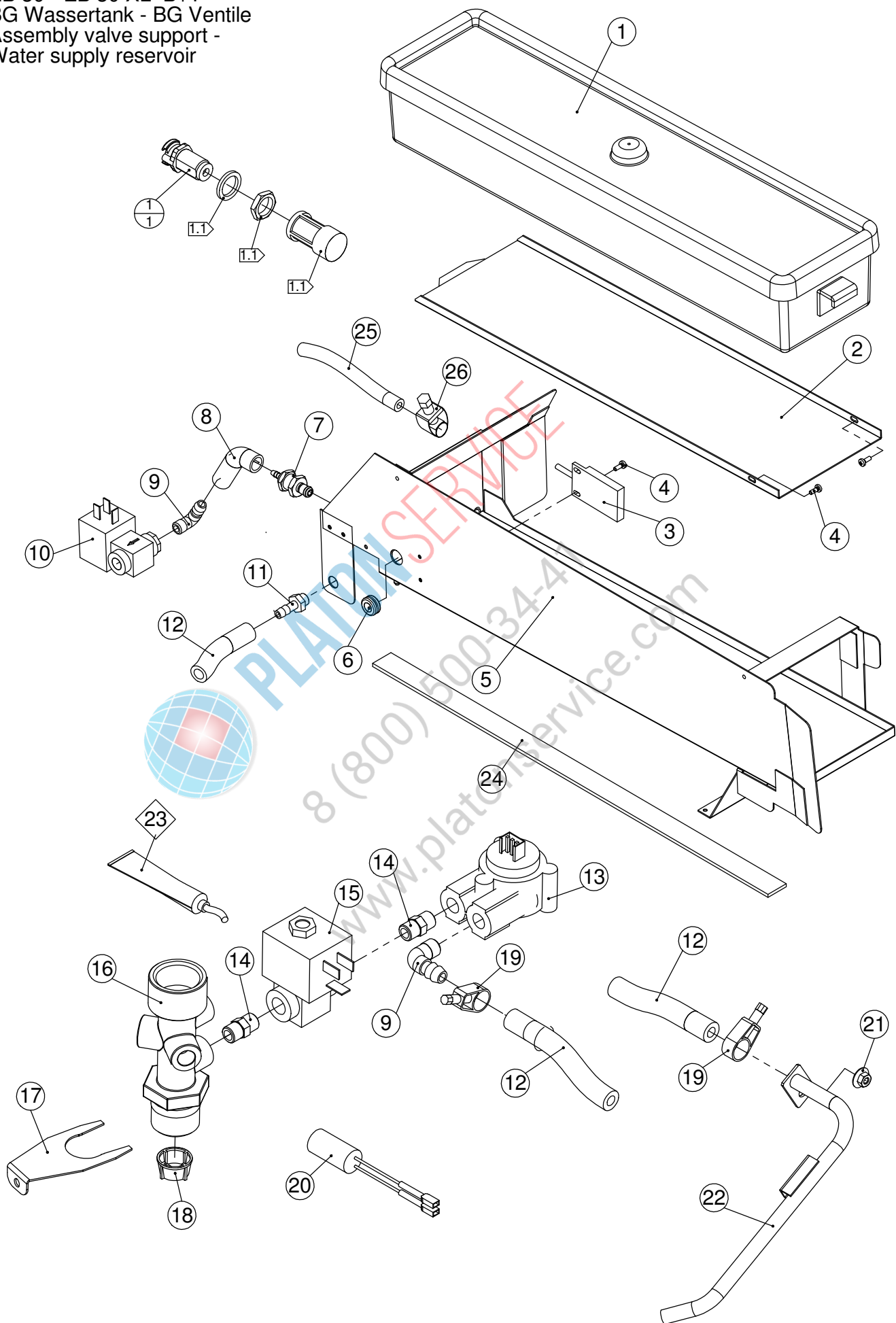


1	EL0504715	Abluftrohr mont EB 30, EB 30 XL (ET)	Exhaust pipe complete EB 30, EB 30 XL (ET)
1.1	EL0504701	Mikroschalter mit Rolle (ET)	Microswitch (ET)
1.2	EL0781894	Getriebemotor 230 V	Gear motor 230 V
2	EL0155349	Dichtung Ablaufrohr DN 40	Gasket DN 40
3	EL0553395	Scheibenmutter M4 V2A	Disk nut M4 V2A
4	EL0003905	Sechskantmutter DIN 934 M4 V2A	Hexagon nut DIN 934 M4 V2A
5	EL0516694	Platte Abluft EB 30 EB 30 XL	Plate outlet air EB 30 EB 30 XL
6	EL0050849	Zahnscheibe DIN 6797 J4,3 V2A	Lock washer DIN 6797 J4,3 V2A
7	EL0553298	Netzanschlussklemme	Connection terminal
8	EL0026999	Scheibe DIN 9021 4,3 V2A	Washer DIN 9021 4,3 V2A
9	EL0873470	Sechskantschraube DIN 933 M4X12 V2A	Hexagon head screw DIN 933 M4X12 V2A
10	EL0337676	Endklammer 10mm	End clamp 10mm
11	EL0570966	Abschlussplatte Klemme 4 qmm	End plate 4 qmm
12	EL0580546	Bezeichnungstreifen LO	Label LO
13	EL0594997	Klemme 4 qmm GN/YE	Clamp 4 qmm GN/YE
14	EL0572055	Klemme-Durchgang 4qmm grau	Clamp 4qmm GY
15	EL0571067	Klemme 4 qmm BU	Clamp 4 qmm BU
16	EL0303089	Querbrücke 4qmm	Bridge 4qmm
17	EL0580465	Verschraubung PG 16 mit Gegenmutter	Connection PG 16 with lock nut
18	EL0527661	Klemmbügel M6 (ET)	Support bridge M6 (ET)
19	EL0784095	Hutschiene L=66mm	Top hat rail L=66mm
20	EL0001015	Linsenschraube DIN 7985 M4x8 V2A	Lens head screw DIN 7985 M4x8 V2A



PLATON SERVICE
 8 (800) 500-34-41
 www.platonservice.com

EB 30 - EB 30 XL B+T
 BG Wassertank - BG Ventile
 Assembly valve support -
 Water supply reservoir



1	EL0504023	Einschubwassertank mont. EB 30 EB 30XL 09	Drawer water tank mounted EB 30 EB 30XL 09
1.1	EL0504702	Kupplung Wassertank (ET)	Coupling (ET)
2	EL0503965	Abdeckung Wannenträger EB 30 09	Covering
3	EL0895474	Niveausensor	Level controller
4	EL0010383	Linsenschraube DIN 7985 M3x8 V2A	Lens head screw DIN 7985 M3x8 V2A
5	EL0503966	Wannenträger	Support tray
6	EL0045438	Membrantülle	Spout
7	EL0896543	Stecker Tank	Coupler connector
8	EL0593303	Silikonschlauch D9X3 transparent	Silicon hose D9X3 transparent
9	EL0292605	Winkelverschraubtülle	Hose connector
10	EL0514691	Magnetventil 2/2 Wege	Solenoid 2/2
11	EL0586943	Einschraubtülle gerade	Hose connection
12	EL0593311	Silikonschlauch D6X3 transparent	Silicon hose D6X3 transparent
13	EL0897264	Durchflussmengenmesser	Flowmeter
14	EL0754447	Doppelnippel	Double nipple
15	EL0374806	Magnetventil	Solenoid valve
16	EL0502733	Standrohr (ET)	Valve support (ET)
17	EL0889520	Federklemme Wassereinheit	Spring clip
18	EL0249688	Sieb weiß	Filter
19	EL0276634	Schlauchselle Spannbereich 14-19	Hose clip 14-19
20	EL0338532	Entstörkondensator	Anti-interference capacitor
21	EL0553395	Scheibenmutter M4 V2A	Disk nut M4 V2A
22	EL0693391	Wasserzulaufrohr Garraum EB 30	Water pipe EB 30
23	EL0593567	Loctite 511 Gewindedichtung	Loctite 511 sealing material
24	EL0504021	Silikondichtung selbstklebend	Silicon gasket adhesive
25	EL0253863	Schlauch D4x2 Silikon	Hose D 4x2 silicon
26	EL0277665	Schlauchselle NS Spannbereich 9-14	Hose clip 9-14



PLATON SERVICE
 8 (800) 500-34
 www.platonservice.com

EL0188921	Anschlusskabel	Connection cable
EL0553271	Anschlusskabel 5x1,5 qmm	Connection cable 5x1,5 qmm
EL0874051	Kabelbaum Durchflusszähler EB 30 EB 30 XL 05	Cable harness flowmeter
EL0502756	Kabelbaum EB 30 EB 30 XL 09	Cable harness EB 30 EB 30 XL 10
EL0503938	Schaltplan EB 09	Wiring diagram EB 09
EL0593567	Loctite 511 Gewindedichtung	Loctite 511 sealing material
EL0371327	Loctite 542 Gewindedichtung	Loctite 542 sealing material
EL0872849	Silikonkleber Novasil S25 Kartusche 80 ml	Silicon adhesives Novasil S25 cartridge 80ml
EL0877980	Isoliersatz EB 30	Insulation EB 30
EL0877964	Isoliersatz EB 30 XL	Insulation EB 30 XL



PLATON SERVICE

8 (800) 500-34-41

www.platonservice.com



PLATONSERVICE

8 (800) 500-34-47

www.platonservice.com



PLATON SERVICE

8 (800) 500-34-41

www.platonservice.com

EL0504257
Vers. 1.1

01.05.09 pl
23.02.10

Technische Änderungen vorbehalten !